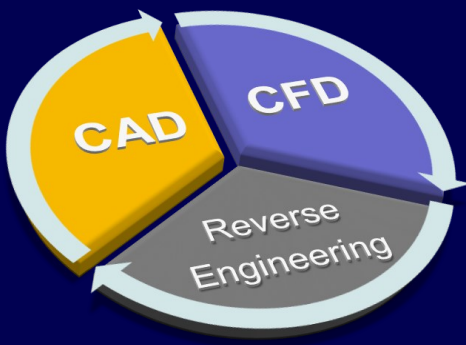
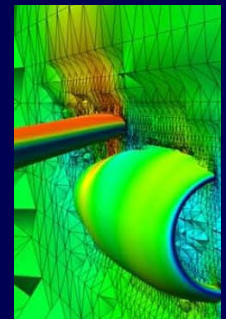
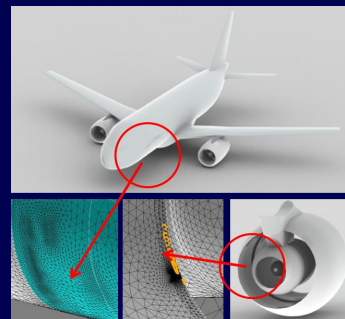
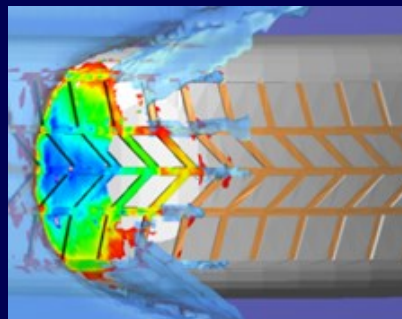
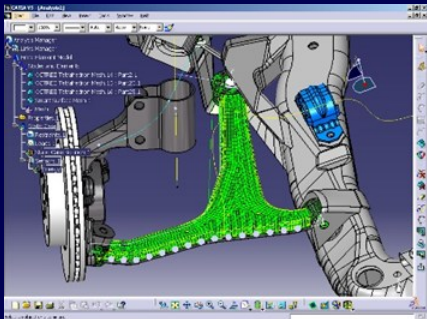
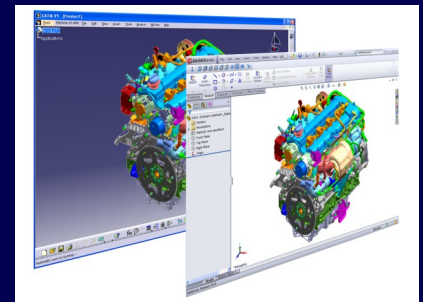
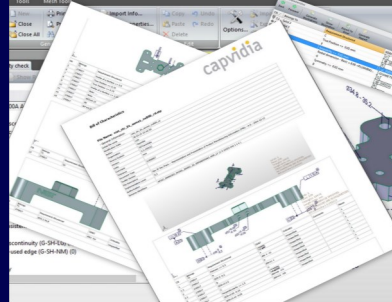
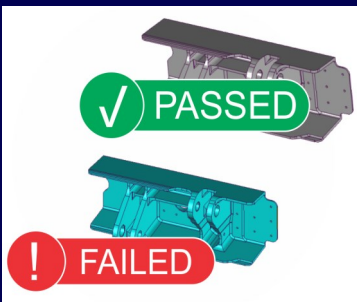
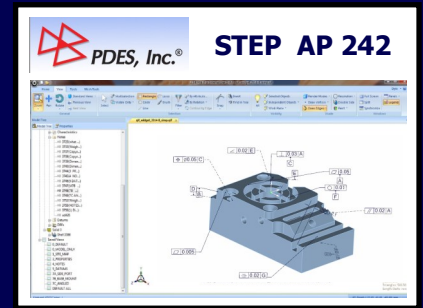
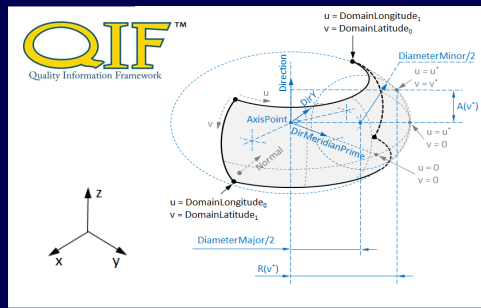
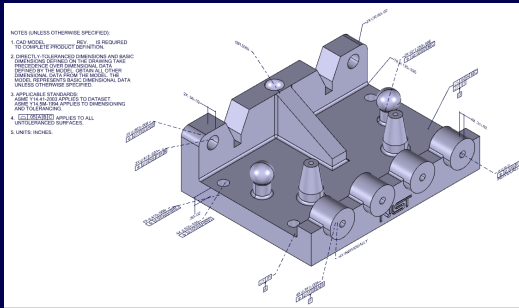


## Software Solutions Enabling Model Based Enterprise



- CAD Data Translation
- CAD Validation & Quality Assessment
- Reverse Engineering
- Model Based Definition (MBD)
- Computational Fluid Dynamics (CFD)

# Enabling Model Based Enterprise

## Capvidia interoperability solutions for CAD, CAM, CMM & CFD simplify processes, increase quality and reduce costs

Capvidia products enable reuse of existing CAD data for downstream applications. Since 1994, Capvidia has developed standalone applications, integrated add-ons and software components for CAD, PLM and CAE to validate and improve data quality. Capvidia is the leading software developer for Model Based Enterprise interoperability with core competencies in the following areas:

- Model Based Definition and Model Based Enterprise data sharing
- CAD Data Translation, Validation and Quality Assessment
- Reverse Engineering
- Computational Fluid Dynamics Simulation and Optimization

Partnerships with major PLM market leaders such as Dassault (Solidworks, Simulia and Spatial), PTC and Siemens provide fully integrated complementary solutions that minimize downstream rework and enable data migration and sharing. Through active participation in Standards Consortiums such as DMSC and PDES Inc. Capvidia develops unique solutions for precise CAD data translation that complies with manufacturing and metrology protocols such as STEP AP 242 and the ANSI QIF.

## Validate, Translate, Compare and Share

### Capvidia solutions enable the reuse of 3D MBD data between diverse software systems.

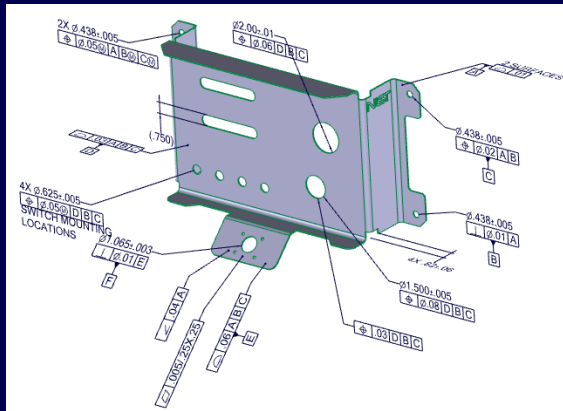
At Capvidia, you will find all the translation expertise that you need for moving CAD data from one system to another. Aerospace, automotive and other manufacturers require open CAD/CAM standards to free their engineering data from the grip of a proprietary system such as CATIA, NX, PTC CREO or SOLIDWORKS. Capvidia products enable you to work in your desired CAD system yet import and export any complex CAD data with semantic PMI (Product Manufacturing Information).

### Support for Industry Standards — STEP, QIF

As a PDES consortium member since 2010, Capvidia actively develops software for all standard translation formats such as STEP AP 242 with all the latest extensions. Our products allow you to heal and move your data between different CAD/CAM/CMM systems while maintaining design, manufacturing and metrology intelligence.

### Know-how and integration support

Successful design and manufacturing enterprises and their supply chain partners must invest in the latest model based development and product lifecycle management solutions in order to remain competitive. If you need to integrate translation standards into your own process or software systems, Capvidia's Libraries (SDK) offer import and export of standard data formats such as STEP or QIF. Our translation experts can help with implementation and answer all your translation related questions.



## Standalone Solutions

- **CompareVidia** — Validates translations of CAD models and design revisions ensuring data integrity and consistency.
- **3DTransVidia** — Translates & repairs common errors created in different CAD Systems.
- **MBDVidia** — Opens any 3D model with annotation for visualization, detailed investigation and reporting. Access and share MBD data without paying for an expensive CAD license.
- **FlowVision** — Integrated CFD simulation system for dynamic analysis of gases and fluids in complex multi-physics configuration and multi-phase environments.
- **ReverseVidia** — Allows automatic conversion of point clouds and triangulated CAD data (\*.stl, \*.wrl or \*.af format) into a fully parametric CAD model with automatic feature recognition of planes, cylinders, spheres, etc., and NURBS surfaces.

## Integrated Solutions

### SOLIDWORKS Add-ins

- **FormatWorks** — Provides correct and precise import of 3D CAD models and MBD data into SOLIDWORKS
- **CompareWorks** — Validates the integrity of 3D models imported into SOLIDWORKS
- **PDQWorks** — Verifies the quality of models created or imported into SOLIDWORKS.

### PTC Creo Add-ins

- **MBDVidia for PTC Creo** — Converts native PTC Creo 3D models into STEP AP 242 or QIF format maintaining complete and accurate 3D product definition.

For more information please contact:

Capvidia Group (Americas)

sales@capvidia.com

www.capvidia.com

Phones: (949) 910-2916 CA; (586) 588-5220 MI; (507) 794-5447 MN